

NTD

NATIONAL TRACKED DUMPER HIRE LTD

2.5 TONNE SWIVEL

SPECIFICATION

All dimensions below were correct at time of print, E&OE.



MODEL: C30R-3

4 CYLINDER, DISPLACEMENT: 2.2 LITRES

46.6PS / 34.3KW @ 2800RPM / Stage IIIB

FUEL TANK CAPACITY: 58 LITRES

BI-DIRECTIONAL SEAT POSITIONS

MACHINE WEIGHT: 2865KG • PAYLOAD: 2500KG

MAX TRAVEL SPEED: 11KPH

GROUND PRESSURE (UNLOADED): 4.2 PSI

GROUND PRESSURE (LOADED): 8.1 PSI

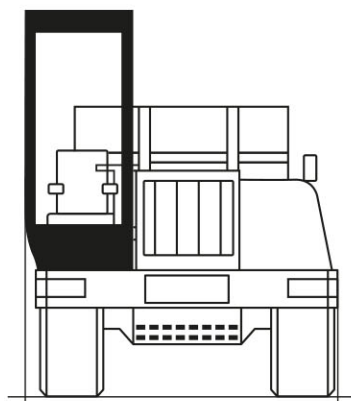
TRACK WIDTH: 320MM • SLEW RADIUS: 1600MM

DUMP BODY CAPACITY (STRUCK): 0.88M³

DUMP BODY CAPACITY (HEAPED): 1.24M³

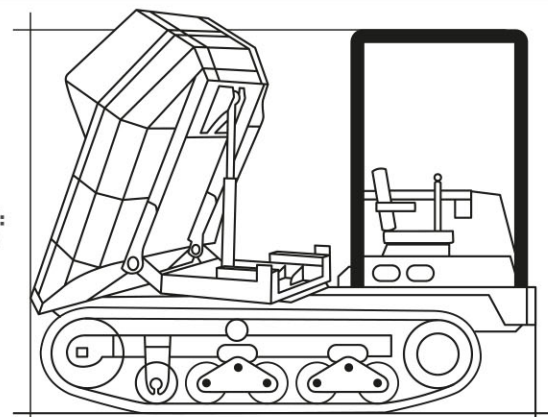
Equipped with a 180° slewing skip, the C30R-3 allows the operator to side tip from both forward tipping and rear tipping configuration. The engine complies with Tier 4i emissions/ EU Stage 111B.

A Bi-Directional seat system that dramatically reduces the amount of turning and reversing, making this machine is a great choice for projects of any size with restricted space.



TOTAL WIDTH: 1550mm

TOTAL HEIGHT: 2310mm



TOTAL LENGTH: 3640mm

FEATURE ICONS



HUMAN FORM RECOGNITION SYSTEM



ROPS OPERATORS CAB



BIODEGRADABLE HYDRAULIC OIL



HYDRAULIC ISOLATION SYSTEM



SEATBELT BEACON SYSTEM



REVERSING CAMERA



360° CAMERA



360° SLEWING

NTD National Tracked Dumper Hire Ltd, Weston Yard, Albury, Surrey GU5 9AF

0844 376 0051

hiredesk@ntdh.co.uk

www.ntdh.co.uk

